

## V5328A

### FLANGED LINEAR VALVE PN16 DN50~ DN80 HIGH CLOSE-OFF PRESSURE RATING

#### SPECIFICATION DATA



#### GENERAL

These single seated valves are used for modulating control of hot / chilled water or steam in heating, ventilating and air conditioning systems.

The valves can be operated by linear actuators ML6420/ML6425 or ML7420/ML7425 or by pneumatic actuators MP953.

#### FEATURES

- Iron body with flanged end connections
- Low seat leakage rate
- High Close-off Pressure Rating (1000kPa)
- Metal to metal seating for long life span
- Self adjusting packing
- Accurate positioning to ensure state of the art temperature control
- Easy mounting of direct coupled electric and pneumatic actuators
- Approved according to DIN 32730

#### SPECIFICATIONS

<b>Action</b>	Stem down to close
<b>Nominal pressure rating</b>	PN16
<b>Plug</b>	Pressure balanced plug
<b>Flow characteristic</b>	Equal percentage, $n_{gl} = 3.4$
<b>Rangeability</b>	50:1
<b>Leakage rate</b>	$\leq 0.03$ % of $k_{VS}$
<b>Stroke</b>	20 mm
<b>Valve body</b>	
End connections	Flanged per ISO 7005-2
Material	Cast iron (GG25)
<b>Dimensions</b>	See Fig. 1
<b>Trim</b>	
Seat	Stainless steel, replaceable
Stem	Stainless steel
Plug	Stainless steel, skirt guided
<b>Packing</b>	Spring loaded PTFE cone rings
<b>Medium temperature and pressure</b>	2...120 °C; max. 1600 kPa 120...150 °C; max. 1400 kPa 150...170 °C; max. 1370 kPa
<b>Maximum temperature differential in alternating hot/cold water use</b>	60 K

## SIZES AND FLOW CAPACITIES

Order Number	Valve Size	k <sub>vs</sub>
V5328A1161	DN50 (for Water)	40.0
V5328A1179	DN65 (for Water)	63.0
V5328A1187	DN80 (for Water)	100.0
V5328A2003	DN50 (for Steam)	40.0
V5328A2011	DN65 (for Steam)	63.0
V5328A2029	DN80 (for Steam)	100.0

## INSTALLATION

- Water should meet VDI 2035 requirements.
- Do not install valve with stem below the horizontal.
- Fluid flow must correspond with the arrow direction on the valve body.
- The installation of a strainer is strongly recommended.

## REPAIR PACKING KIT

Part No.: R 43 176 754 - 001 (DN15...DN32)  
 R 43 176 754 - 002 (DN40...DN80)

## ACTUATORS

### Electric actuators

Stem Force/Actuator		
600 N	600 N Spring Return	1800 N
ML6420A ML7420A	ML6425A,B ML7425A,B	M6421A M7421A

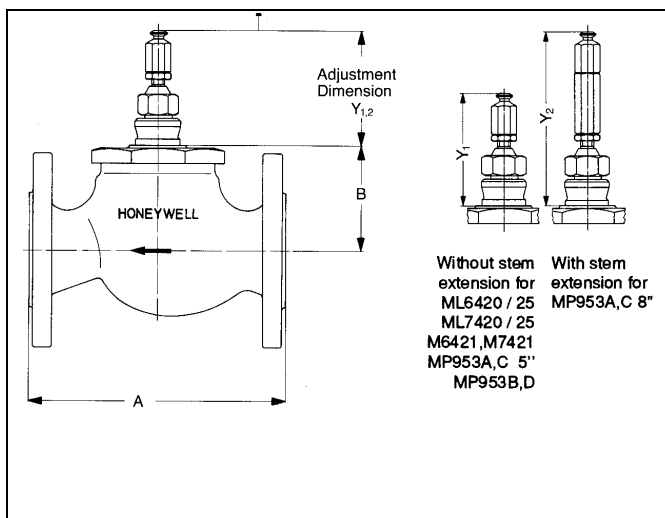
## CLOSE OFF PRESSURE RATINGS in kPa

### Electric actuators

Actuator		Valve Size		
Model	Force	DN50	DN65	DN80
ML6420A, ML6425A,B ML7420A, ML7425A,B	600 N	1000	1000	1000
ML6421A, ML7421A	1800 N	1600	1600	1600

## DIMENSIONS (mm)

### Valve



Valve Size	A	B	Y <sub>1</sub> *	Y <sub>2</sub> *
DN50	230	93	89	133
DN65	290	112	Valve	Valve
DN80	310	114	closed	close

\* = Adjustment dimension

Fig. 1 V5328A

Electric actuators

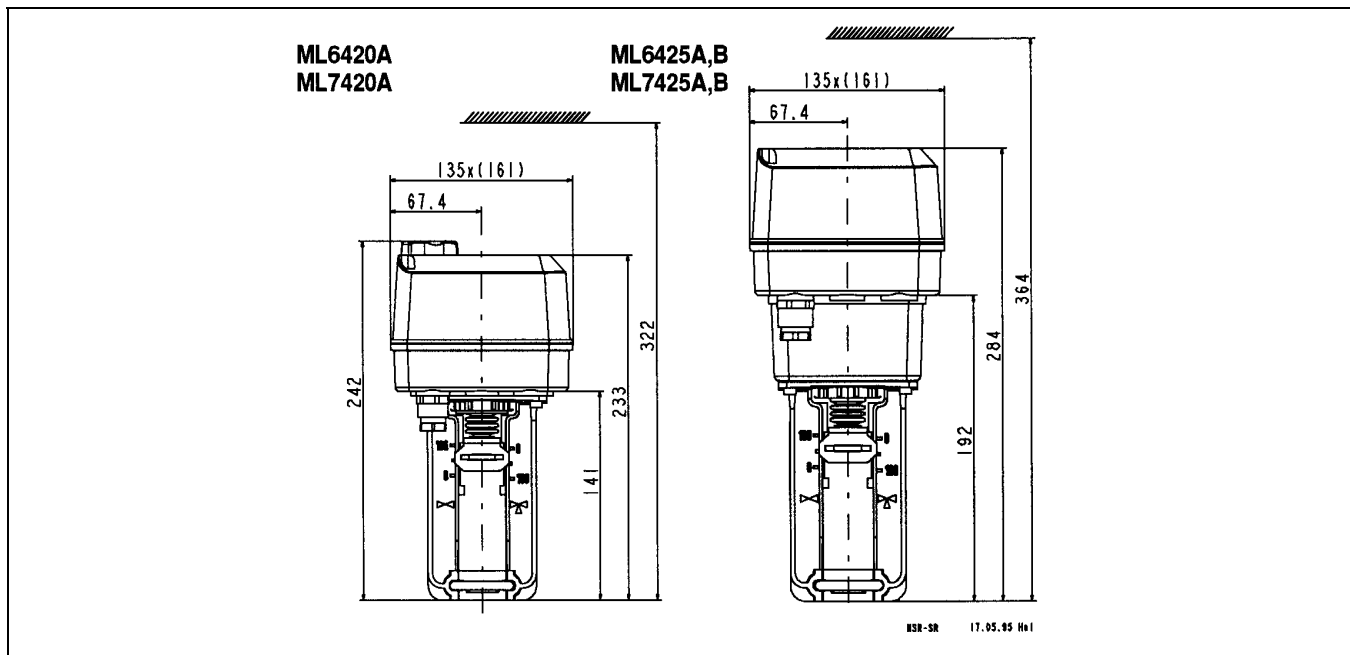


Fig. 3 ML6420A/ML6425A,B and ML7420A/ML7425A,B

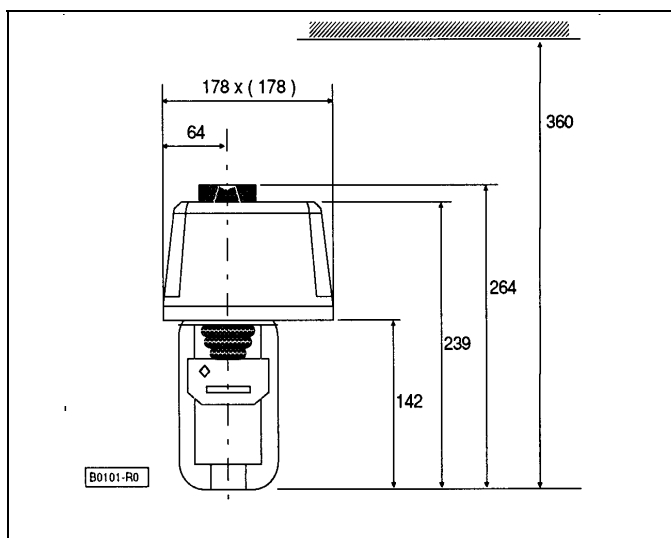


Fig. 4 ML6421A/ML7421A

Actuator O.S. No.	DIN Registration No.
ML6425A3022	1F13995
ML6425B3013	
ML7425A3013	
ML7425B3012	

NOTE: V5328A valves in combination with the following actuators are approved according to DIN 32730:

